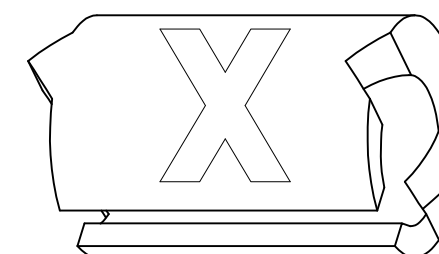
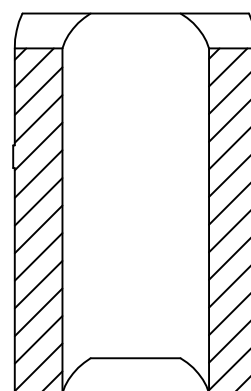
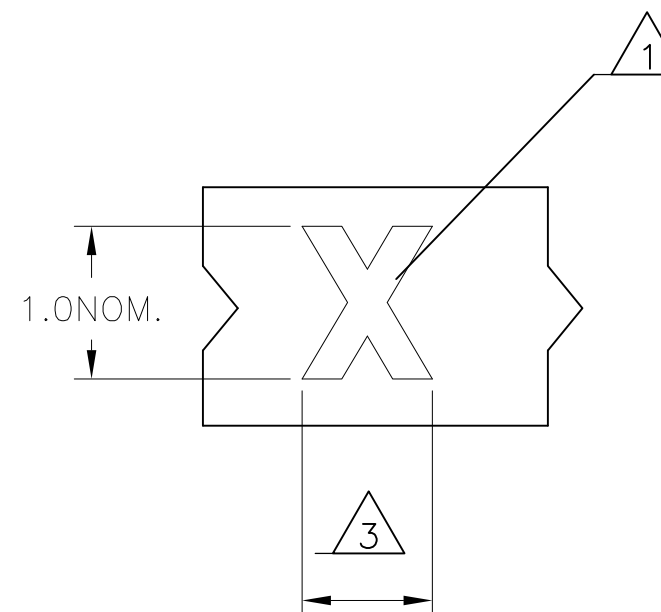
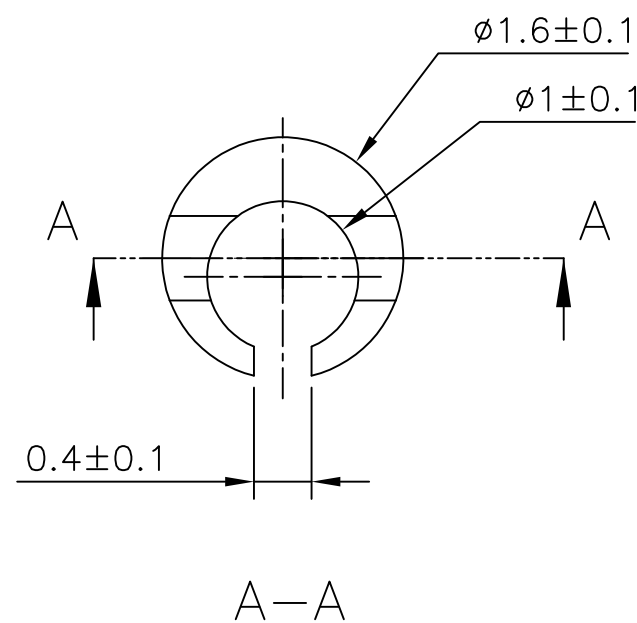
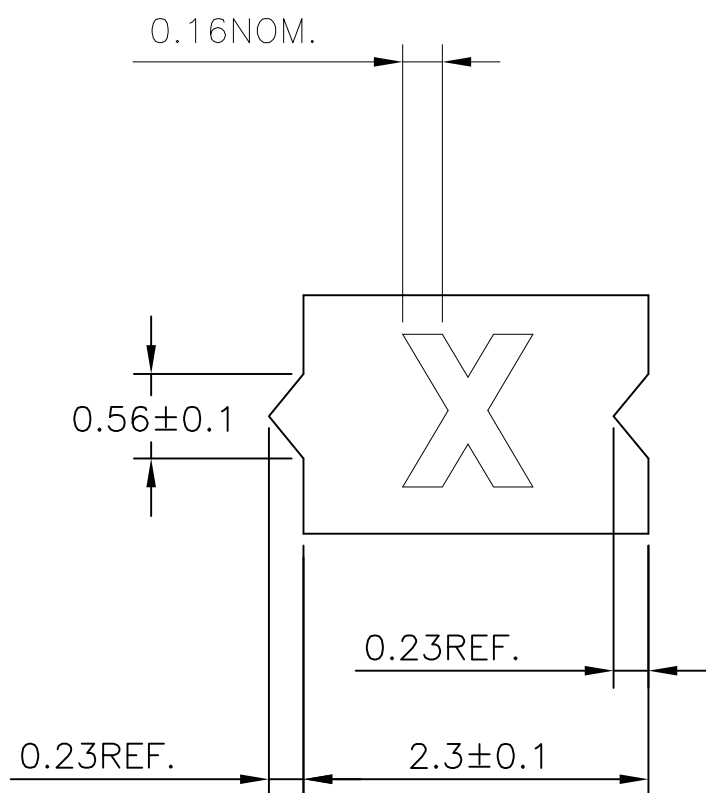


THIS DRAWING IS UNPUBLISHED. RELEASED FOR PUBLICATION  
 © COPYRIGHT - TE Connectivity, SWINDON, UK ALL RIGHTS RESERVED.

| LOC | DIST | REVISIONS   |             |           |        |
|-----|------|-------------|-------------|-----------|--------|
| P   | LTR  | DESCRIPTION | DATE        | DWN       | APVD   |
| —   | —    | 1           | NEW DRAWING | 17DEC2012 | AFK MA |



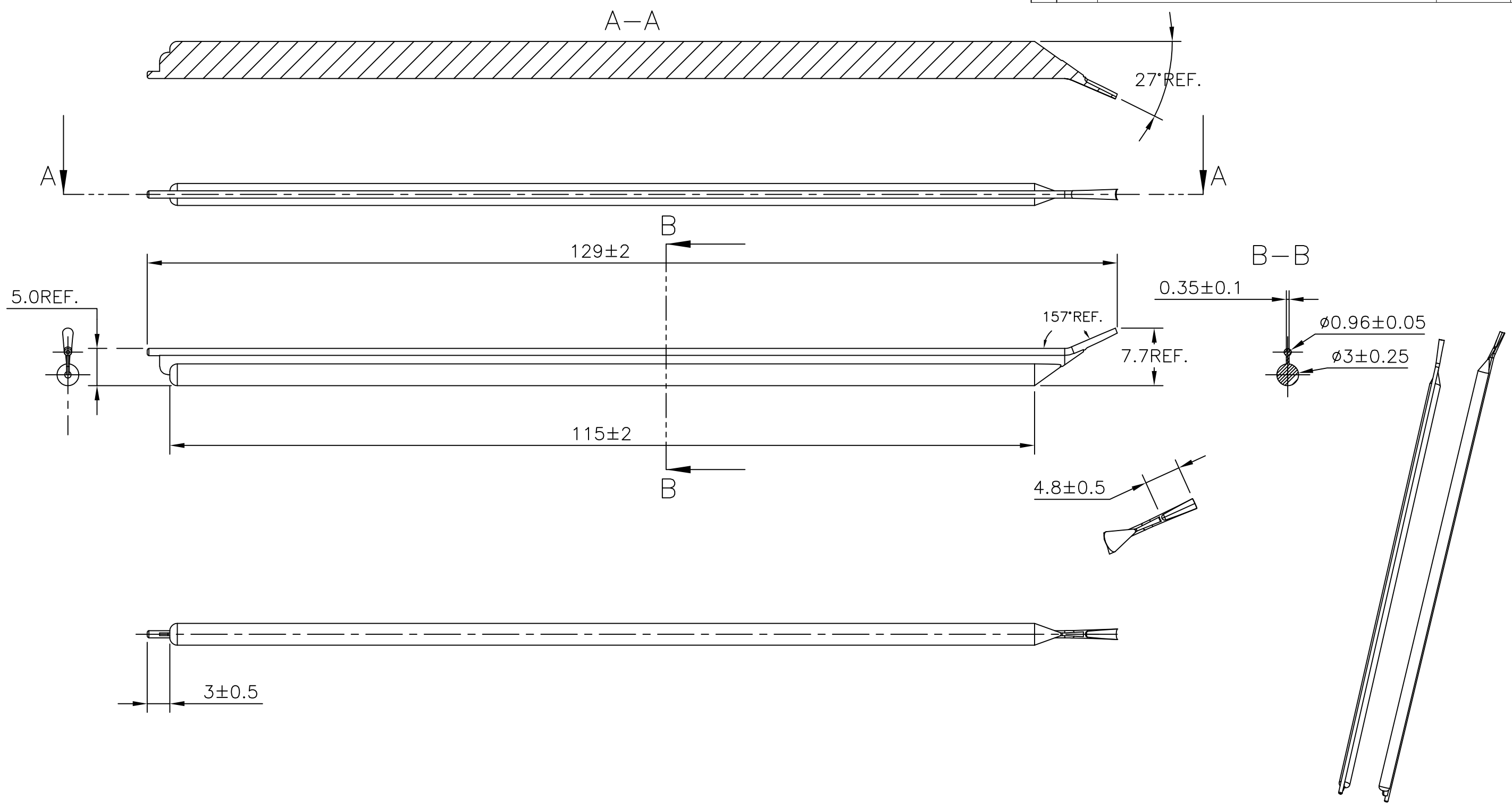
NOTES:

- 1 FOR PART NUMBERS SEE SHEET 3 OF 3.
- 2 MARK SHOULD BE CENTRALLY POSITIONED  $\pm 0.1$ mm
- 3 WIDTH OF MARK DEPENDS ON CHARACTER PRINTED

|  |  |                   |           |  |                    |
|--|--|-------------------|-----------|--|--------------------|
| THIS DRAWING IS A CONTROLLED DOCUMENT. |  | DWN<br>AFK        | 17NOV2012 | <b>TE Connectivity</b>                 |                    |
| DIMENSIONS:<br>mm                      |  | CHK<br>M APPELLO  | 17DEC2012 |  |                    |
| TOLERANCES UNLESS OTHERWISE SPECIFIED: |  | APVD<br>M APPELLO | 17DEC2012 | NAME<br>STB/STD MARKER WITH APPLICATOR |                    |
|  |  | PRODUCT SPEC<br>— |           | APPLICATION SPEC<br>—                  |                    |
| MATERIAL<br>THERMOPLASTIC              |  | FINISH<br>—       |           | SIZE<br>A3                             | CAGE CODE<br>00779 |
|  |  | WEIGHT<br>—       |           | DRAWING NO<br>C-1-1768041-3            |                    |
|  |  | CUSTOMER DRAWING  |           | RESTRICTED TO<br>—                     | SCALE<br>NTS       |
|  |  |                   |           | SHEET<br>1 OF 3                        | REV<br>1           |

THIS DRAWING IS UNPUBLISHED. RELEASED FOR PUBLICATION  
 © COPYRIGHT - TE Connectivity, SWINDON, UK ALL RIGHTS RESERVED.

| LOC | DIST | REVISIONS   |      |     |      |
|-----|------|-------------|------|-----|------|
| P   | LTR  | DESCRIPTION | DATE | DWN | APVD |
| -   | -    | SEE SHEET 1 | -    | -   | -    |



|  |  |                   |           |  |               |
|--|--|-------------------|-----------|--|---------------|
| THIS DRAWING IS A CONTROLLED DOCUMENT. |  | DWN<br>A KEAN     | 18DEC2012 | <b>STE</b> TE Connectivity             |               |
| DIMENSIONS:<br>mm                      |  | CHK<br>M APPELLO  | 17DEC2012 |  |               |
| TOLERANCES UNLESS OTHERWISE SPECIFIED: |  | APVD<br>M APPELLO | 17DEC2012 | NAME<br>STB/STD MARKER WITH APPLICATOR |               |
| 0 PLC ± -                              |  | PRODUCT SPEC      |           | -                                      |               |
| 1 PLC ± -                              |  | APPLICATION SPEC  |           | -                                      |               |
| 2 PLC ± -                              |  | SIZE              | CAGE CODE | DRAWING NO                             | RESTRICTED TO |
| 3 PLC ± -                              |  | A3 00779          |           | C-1-1768041-3                          | -             |
| 4 PLC ± -                              |  | CUSTOMER DRAWING  |           | SCALE                                  | SHEET         |
| ANGLES ± -                             |  | SCALE NTS         |           | SHEET 2 OF 3                           | REV 1         |
| MATERIAL<br>THERMOPLASTIC              |  | FINISH<br>-       |           | -                                      |               |

THIS DRAWING IS UNPUBLISHED. RELEASED FOR PUBLICATION  
 © COPYRIGHT - TE Connectivity, SWINDON, UK ALL RIGHTS RESERVED.


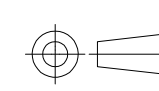
| LOC | DIST | REVISIONS |     |             |      |     |      |
|-----|------|-----------|-----|-------------|------|-----|------|
|     |      | P         | LTR | DESCRIPTION | DATE | DWN | APVD |
| -   | -    | -         | -   | SEE SHEET 1 | -    | -   | -    |

| DESCRIPTION   | PART NO.    |
|---------------|-------------|
| STB01-0-0     | 7-1768036-9 |
| STB01-1-1     | 8-1768036-2 |
| STB01-2-2     | 8-1768036-5 |
| STB01-3-3     | 8-1768036-8 |
| STB01-5-5     | 9-1768036-3 |
| STB01-6-6     | 9-1768036-6 |
| STB01-7-7     | 9-1768036-9 |
| STB01-8-8     | 1768037-3   |
| STB01-BLANK-0 | 1768037-6   |
| STB01-BLANK-1 | 1768037-7   |
| STB01-BLANK-2 | 1768037-8   |
| STB01-BLANK-3 | 1768037-9   |
| STB01-BLANK-5 | 1-1768037-0 |
| STB01-BLANK-6 | 1-1768037-1 |
| STB01-BLANK-7 | 1-1768037-2 |
| STD01W-0      | 380468-000  |
| STD01W-1      | 036952-000  |
| STD01W-2      | 880874-000  |
| STD01W-3      | 261416-000  |
| STD01W-4      | 886014-000  |
| STD01W-5      | 472156-000  |
| STD01W-6      | 697328-000  |
| STD01W-7      | 115690-000  |
| STD01W-8      | 695082-000  |
| STD01W-9      | 524448-000  |
| STD01W-A      | 543032-000  |
| STD01W-B      | 667794-000  |
| STD01W-BLANK  | 7-1768040-6 |
| STD01W-C      | 490978-000  |

| DESCRIPTION  | PART NO.    |
|--------------|-------------|
| STD01W-COLON | 866186-000  |
| STD01W-D     | 892212-000  |
| STD01W-DOT   | 7-1768040-9 |
| STD01W-E     | 306924-000  |
| STD01W-EARTH | 8-1768040-0 |
| STD01W-F     | 564572-000  |
| STD01W-G     | 476126-000  |
| STD01W-H     | 773592-000  |
| STD01W-I     | 744932-000  |
| STD01W-J     | 558694-000  |
| STD01W-K     | 300156-000  |
| STD01W-L     | 069822-000  |
| STD01W-M     | 797550-000  |
| STD01W-MINUS | 8-1768040-7 |
| STD01W-N     | 825954-000  |
| STD01W-P     | 003470-000  |
| STD01W-PLUS  | 9-1768040-0 |
| STD01W-Q     | 184430-000  |
| STD01W-R     | 127474-000  |
| STD01W-S     | 894140-000  |
| STD01W-SLASH | 435160-000  |
| STD01W-T     | 381132-000  |
| STD01W-U     | 764856-000  |
| STD01W-V     | 117528-000  |
| STD01W-W     | 019350-000  |
| STD01W-X     | 165016-000  |
| STD01W-Y     | 098122-000  |
| STD01W-Z     | 030648-000  |
| STD01Y-0     | 9-1768040-2 |

| DESCRIPTION  | PART NO.    |
|--------------|-------------|
| STD01Y-1     | 9-1768040-3 |
| STD01Y-2     | 9-1768040-4 |
| STD01Y-3     | 9-1768040-5 |
| STD01Y-4     | 9-1768040-6 |
| STD01Y-5     | 9-1768040-7 |
| STD01Y-6     | 9-1768040-8 |
| STD01Y-7     | 9-1768040-9 |
| STD01Y-8     | 1768041-1   |
| STD01Y-9     | 1768041-2   |
| STD01Y-A     | 1768041-3   |
| STD01Y-AC    | 1768041-4   |
| STD01Y-B     | 1768041-6   |
| STD01Y-BLANK | 1768041-7   |
| STD01Y-C     | 1768041-9   |
| STD01Y-COLON | 1-1768041-0 |
| STD01Y-D     | 1-1768041-1 |
| STD01Y-DOT   | 1-1768041-3 |
| STD01Y-E     | 1-1768041-4 |
| STD01Y-EARTH | 1-1768041-5 |
| STD01Y-F     | 1-1768041-7 |
| STD01Y-G     | 1-1768041-9 |
| STD01Y-H     | 2-1768041-1 |
| STD01Y-I     | 2-1768041-3 |
| STD01Y-J     | 2-1768041-4 |
| STD01Y-K     | 2-1768041-5 |
| STD01Y-L     | 2-1768041-7 |
| STD01Y-M     | 2-1768041-9 |
| STD01Y-MINUS | 3-1768041-0 |
| STD01Y-N     | 3-1768041-2 |

| DESCRIPTION  | PART NO.    |
|--------------|-------------|
| STD01Y-P     | 3-1768041-4 |
| STD01Y-PLUS  | 3-1768041-5 |
| STD01Y-Q     | 3-1768041-6 |
| STD01Y-R     | 3-1768041-7 |
| STD01Y-S     | 3-1768041-9 |
| STD01Y-SLASH | 4-1768041-0 |
| STD01Y-T     | 4-1768041-1 |
| STD01Y-U     | 4-1768041-2 |
| STD01Y-V     | 4-1768041-3 |
| STD01Y-W     | 4-1768041-4 |
| STD01Y-X     | 4-1768041-5 |
| STD01Y-Y     | 4-1768041-6 |
| STD01Y-Z     | 4-1768041-7 |

|   |  |                                |   |               |                 |
|---|--|--------------------------------|---|---------------|-----------------|
| THIS DRAWING IS A CONTROLLED DOCUMENT.  |  | DWN<br>A KEAN<br>17DEC2012     |  TE Connectivity<br>STB/STD MARKER WITH APPLICATOR |               |                 |
| DIMENSIONS:<br>mm   |  | CHK<br>M APPELLO<br>17DEC2012  |   |               |                 |
|  |  | APVD<br>M APPELLO<br>17DEC2012 |   |               |                 |
| TOLERANCES UNLESS OTHERWISE SPECIFIED:  |  | NAME                           |   |               |                 |
| 0 PLC ± -   |  | PRODUCT SPEC                   | -   |               |                 |
| 1 PLC ± -   |  | APPLICATION SPEC               | -   |               |                 |
| 2 PLC ± -   |  | WEIGHT                         | -   |               |                 |
| 3 PLC ± -   |  | SIZE                           | CAGE CODE   | DRAWING NO    | RESTRICTED TO   |
| 4 PLC ± -   |  | A3 00779                       |   | C-1-1768041-3 | -               |
| ANGLES ± -  |  | CUSTOMER DRAWING               |   |               |                 |
| MATERIAL<br>THERMOPLASTIC   |  | FINISH<br>-                    |   | SCALE<br>NTS  | SHEET<br>3 OF 3 |
|   |  |                                |   | REV<br>1      |                 |